

POWER SUPPLIES FOR PHOTOMULTIPLIER TUBE MODULES C7169/C10709

The C7169 and C10709 are the power supply units which can be used for various photomultiplier tube (PMT) modules produced by Hamamatsu. The unit can provide both the driving voltage and the control voltage.



SPECIFICATIONS

Type No.	C7169	C10709	Unit
Output Voltage	±15	±5	V
Max. Output Current	0.3 (+15 V), 0.2 (-15 V)	2.0 (+5 V), 0.2 (-5 V)	A
Control Voltage (variable voltage range) *1	+0.25 to +1.8		V
AC Input Voltage	100 to 240		V
Input Power Frequency	50 / 60		Hz
Max. Current Consumption	0.5	2.2	A
Terminal Connection Method	Binding post		—
Operating Ambient Temperature *2	+5 to +50		°C
Storage Temperature *2	-20 to +50		°C
Environmental	In door use, upto 2000 m altitude		—
Approved Standards	Safety	EN61010-1: 2001 Overvoltage category 2 Pollution level 2	—
	EMC	EN61326-1: 2006 Group 1, Class A	—
Weight	1.2		kg

*1: Adjust within the recommended control voltage range for the photomultiplier tube module being used.

*2: No condensation

APPLICABLE PMT MODULES

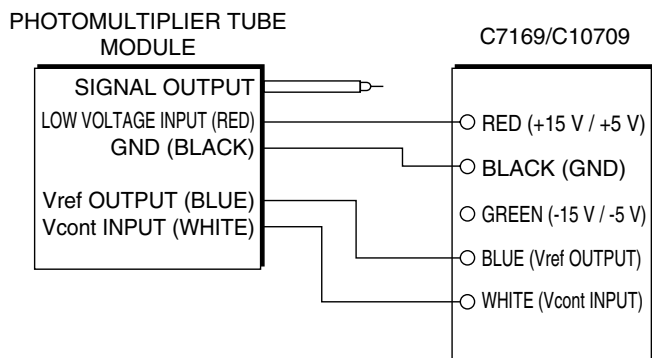
Power Supply Type No.	Photomultiplier Tube Module	
	Type No.	Output Signal
C7169	H5773*, H5783*, H6779*, H6780*, H7732, H7826, H9305 H10425, H10426, H11526	Current Output
	H5784*, H7827, H8249 H9306, H9307, H9656*, H10492, H10493	Voltage Output
C10709	H9858*, H10720, H10721 H11432, H11461	Current Output
	H10722, H10723	Voltage Output

* Not current sold.

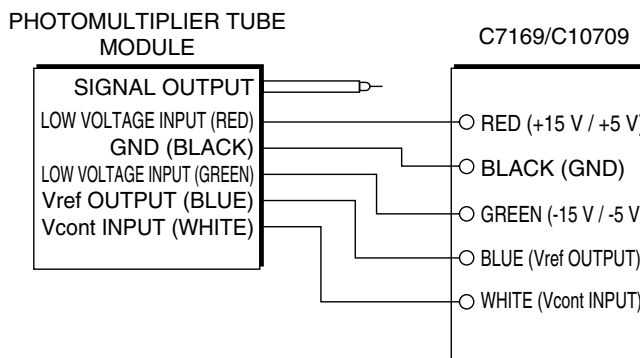
POWER SUPPLIES FOR PHOTOMULTIPLIER TUBE MODULES C7169/C10709

CONNECTION DIAGRAMS

Current output type photomultiplier tube module



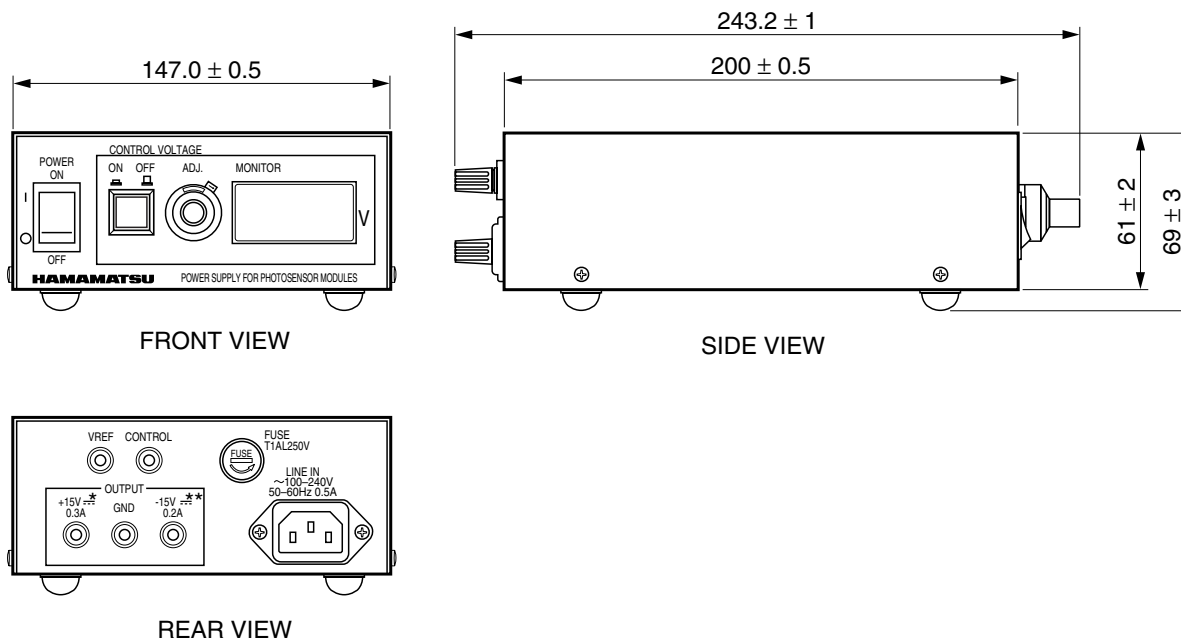
Voltage output type photomultiplier tube module



* The connection of the unit and the photomultiplier tube module must be made while the unit power is "OFF". Please make proper wiring connection otherwise the photomultiplier tube module may be damaged.

TACCC0113ED

DIMENSIONAL OUTLINE (Unit: mm)



* +5V $\frac{1}{2}$ for C10709
2.0A

** -5V $\frac{1}{2}$ for C10709
0.2A

TACCA0186EC

HAMAMATSU PHOTONICS K.K. www.hamamatsu.com

HAMAMATSU PHOTONICS K.K., Electron Tube Division
314-5, Shimokanzo, Iwata City, Shizuoka Pref., 438-0193, Japan, Telephone: (81)539/62-5248, Fax: (81)539/62-2205

U.S.A.: Hamamatsu Corporation: 360 Foothill Road, P. O. Box 6910, Bridgewater, N.J. 08807-0910, U.S.A., Telephone: (1)908-231-0960, Fax: (1)908-231-1218 E-mail: usa@hamamatsu.com

Germany: Hamamatsu Photonics Deutschland GmbH: Arzbergerstr. 10, D-82211 Herrsching am Ammersee, Germany, Telephone: (49)8152-375-0, Fax: (49)8152-2658 E-mail: info@hamamatsu.de

France: Hamamatsu Photonics France S.A.R.L.: 19, Rue du Saule Trapu, Parc du Moulin de Massy, 91882 Massy Cedex, France, Telephone: (33)1 69 53 71 00, Fax: (33)1 69 53 71 10 E-mail: infos@hamamatsu.fr

United Kingdom: Hamamatsu Photonics UK Limited: 2 Howard Court, 10 Tewin Road Welwyn Garden City Hertfordshire AL7 1BW, United Kingdom, Telephone: 44-(0)1707-294888, Fax: 44(0)1707-325777 E-mail: info@hamamatsu.co.uk

North Europe: Hamamatsu Photonics Norden AB: Smidesvägen 12, SE-171-41 SOLNA, Sweden, Telephone: (46)8-509-031-00, Fax: (46)8-509-031-01 E-mail: info@hamamatsu.se

Italy: Hamamatsu Photonics Italia: S.R.L.: Strada della Moia, 1/E, 20020 Arese, (Milano), Italy, Telephone: (39)02-935 81 733, Fax: (39)02-935 81 741 E-mail: info@hamamatsu.it

TACC1049E01
JAN. 2011 IP