

S11961-01CR

Measures the distance to an object by TOF (Time-Of-Flight) method

The distance image sensors are designed to measure the distance to an object by TOF method. When used in combination with a pulse modulated light source, this sensor outputs phase difference information on the timing that the light is emitted and received. The sensor output signals are arithmetically processed by an external signal processing circuit or a PC to obtain distance data. We provide an evaluation kit for this product. Contact us for detailed information.

Features

- High-speed charge transfer structure
- Wide dynamic range, low noise by non-destructive readout
- Operates with minimal detection errors even under fluctuating (charge drain function)
- Real-time distance measurement

Applications

- Obstacle detection (self-driving, robots, etc.)
- Security (intrusion detection, etc.)
- Shape recognition (logistics, robots, etc.)
- Motion capture

Structure

Parameter	Specification	Unit
Image size	5.12 × 0.05	mm
Pixel pitch	20	μm
Pixel height	50	μm
Number of pixels	272	pixels
Number of effective pixels	256	pixels
Package	22-pin PWB	-
Window material	AR-coated glass	-

Note: This product is not hermetically sealed.

Absolute maximum ratings

Parameter	Symbol	Condition	Value	Unit	
Analog supply voltage	Vdd(A)	Ta=25 °C	-0.3 to +6	V	
Digital supply voltage	Vdd(D)	Ta=25 °C	-0.3 to +6	V	
Analog input terminal voltage	Pixel amplifier	Vsf	Ta=25 °C	-0.3 to Vdd(A) + 0.3	V
	Pixel reset	Vr			
	Photosensitive area	Vpg			
Digital input terminal voltage	Pixel reset pulse	p_res	Ta=25 °C	-0.3 to Vdd(D) + 0.3	V
	Signal sampling pulse	phis			
	Master clock pulse	mclk			
	Signal readout trigger pulse	trig			
	Output signal synchronous pulse	dclk			
Charge transfer clock pulse voltage	VTX1, VTX2, VTX3	Ta=25 °C	-0.3 to Vdd(A) + 0.3	V	
Operating temperature	Topr	No dew condensation*1	-25 to +85	°C	
Storage temperature	Tstg	No dew condensation*1	-40 to +100	°C	
Reflow soldering conditions*2	Tsol		260 °C max. 2 times (see P.8)	-	

*1: When there is a temperature difference between a product and the surrounding area in high humidity environment, dew condensation may occur on the product surface. Dew condensation on the product may cause deterioration in characteristics and reliability.

*2: JEDEC level 3

Note: Exceeding the absolute maximum ratings even momentarily may cause a drop in product quality. Always be sure to use the product within the absolute maximum ratings.

Recommended terminal voltage (Ta=25 °C)

Parameter	Symbol	Min.	Typ.	Max.	Unit	
Analog supply voltage	Vdd(A)	4.75	5	5.25	V	
Digital supply voltage	Vdd(D)	4.75	5	5.25	V	
Bias voltage	Pixel amplifier	Vsf	4.5	5	Vdd(A)	V
	Pixel reset	Vr	4	4.25	4.5	V
	Photosensitive area	Vpg	0.8	1.0	1.2	V
Pixel reset pulse voltage	High level	p_res	Vdd(D) × 0.8	-	-	V
	Low level		-	-	Vdd(D) × 0.2	
Signal sampling pulse voltage	High level	phis	Vdd(D) × 0.8	-	-	V
	Low level		-	-	Vdd(D) × 0.2	
Master clock pulse voltage	High level	mclk	Vdd(D) × 0.8	-	-	V
	Low level		-	-	Vdd(D) × 0.2	
Signal readout trigger pulse voltage	High level	trig	Vdd(D) × 0.8	-	-	V
	Low level		-	-	Vdd(D) × 0.2	
Output signal synchronous pulse voltage	High level	dclk	Vdd(D) × 0.8	-	-	V
	Low level		-	-	Vdd(D) × 0.2	

Electrical characteristics [Ta=25 °C, Vdd(A)=Vdd(D)=5 V]

Parameter	Symbol	Condition	Min.	Typ.	Max.	Unit
Clock pulse frequency	f(mclk)		1 M	-	5 M	Hz
Video data rate	VR		-	f(mclk)	-	Hz
Current consumption	Ic	Dark state	-	15	30	mA

Electrical and optical characteristics [Ta=25 °C, Vdd(A)=Vdd(D)=5 V, Vsf=5 V, Vr=4.25 V, MCLK=5 MHz]

Parameter	Symbol	Min.	Typ.	Max.	Unit
Spectral response range	λ	400 to 1100			nm
Peak sensitivity wavelength	λ_p	-	800	-	nm
Photosensitivity*3	S	1.05×10^{12}	2.1×10^{12}	4.2×10^{12}	V/W·s
Dark output	Vd	-	0.5	10	V/s
Random noise	RN	-	0.4	0.8	mV rms
Dark output voltage*4	Vor	2.95	3.3	4.35	V
Saturation output voltage	Vsat	-	-	2	V
Sensitivity ratio*5	SR	0.7	-	1.43	-
Photoresponse nonuniformity*6	PRNU	-	-	±10	%

*3: Monochromatic wavelength source ($\lambda=805$ nm)

*4: Output voltage right after reset in dark state

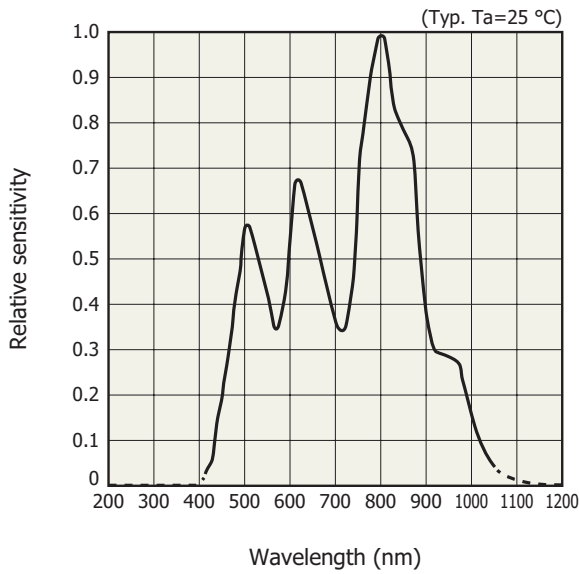
*5: Sensitivity ratio of Vout1 (VTX1=3 V, VTX2=VTX3=0 V) to Vout2 (VTX2=3 V, VTX1=VTX3=0 V)

*6: Photoresponse nonuniformity (PRNU) is the output nonuniformity that occurs when the entire photosensitive area is uniformly illuminated by light which is 50% of the saturation exposure level. PRNU is measured using 256 pixels excluding 8 pixels each at both ends, and is defined as follow:

$$\text{PRNU} = \frac{\Delta X}{X} \times 100 [\%]$$

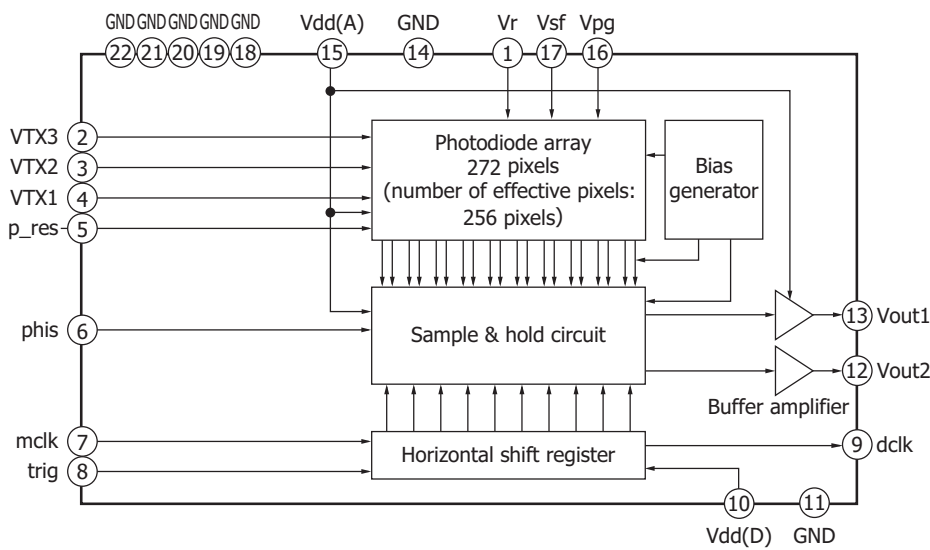
X: average output of all pixels, ΔX : difference between X and maximum or minimum output

Spectral response



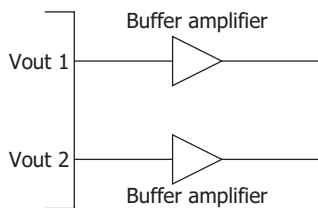
KMPDB0375EB

Block diagram



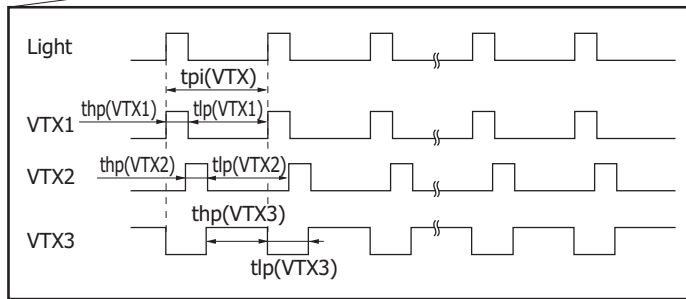
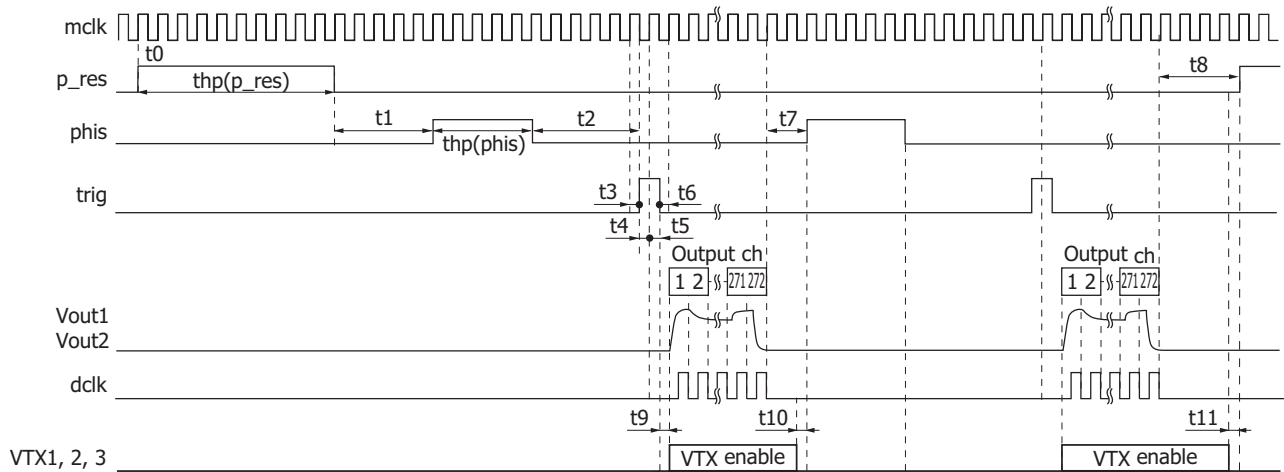
KMPDC0430EC

Basic connection example

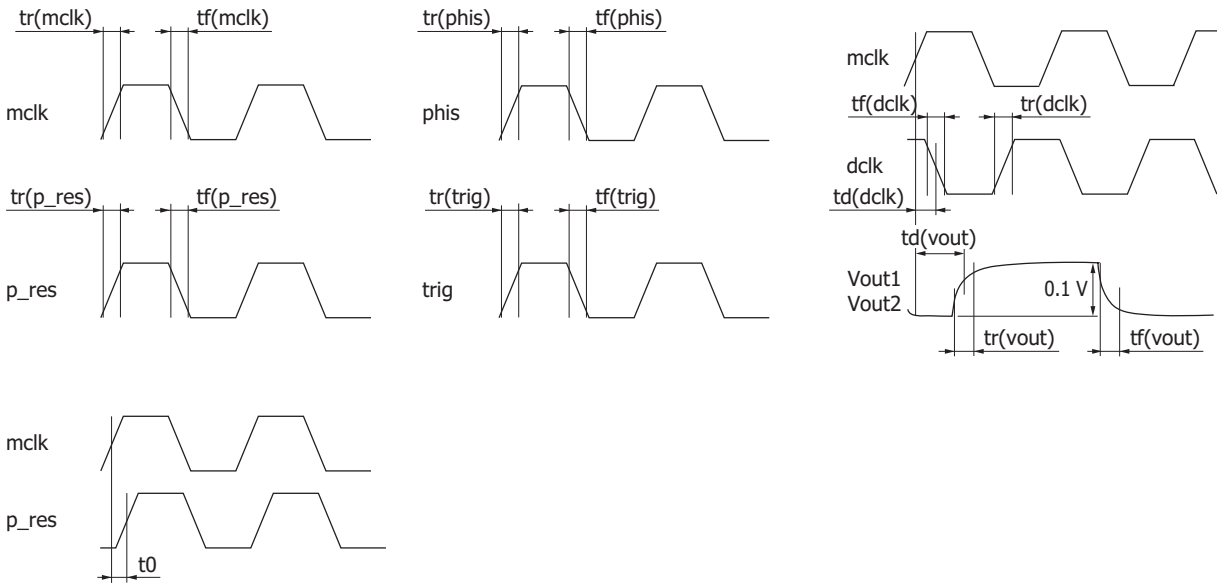


KMPDC0486EA

Timing chart



KMPDC0431EB



KMPDC0432EA

▣ Calculation method of frame rate

$$\begin{aligned}\text{Frame rate} &= 1/(\text{Time per frame}) \\ &= 1/(\text{Integration time} + \text{Readout time})\end{aligned}$$

Integration time:

It is necessary to be changed by the required distance accuracy and usage environment factors such as fluctuating background light.

$$\begin{aligned}\text{Readout time} &= \frac{1}{\text{Clock pulse frequency}} \times \text{Number of horizontal pixels} \\ &= \text{Time per clock (Readout time per pixel)} \times \text{Number of horizontal pixels}\end{aligned}$$

Calculation example of readout time (clock pulse frequency: 5 MHz, number of horizontal pixels: 272)

$$\begin{aligned}\text{Readout time} &= \frac{1}{5 \times 10^6 [\text{Hz}]} \times 272 \\ &= 200 [\text{ns}] \times 272 \\ &= 0.0544 [\text{ms}]\end{aligned}$$

When operating in non-destructive readout mode:

$$\text{Time per frame} = \text{Integration time} + (\text{Readout time} \times \text{Non-destructive readout count})$$

Parameter	Symbol	Min.	Typ.	Max.	Unit	
Master clock pulse duty ratio	-	45	50	55	%	
Master clock pulse rise and fall times	tr(mclk), tf(mclk)	0	-	20	ns	
Pixel reset pulse high period	thp(p_res)	10	-	-	μs	
Pixel reset pulse rise and fall times	tr(p_res), tf(p_res)	0	-	20	ns	
Signal sampling pulse high period	thp(phic)	1	-	-	μs	
Signal sampling pulse rise and fall times	tr(phic), tf(phic)	0	-	20	ns	
Signal readout trigger pulse rise and fall times	tr(trig), tf(trig)	0	-	20	ns	
Time from rising edge of master clock pulse to pixel reset pulse	t0	0	-	-	ns	
Time from rising edge of pixel reset pulse to rising edge of signal sampling pulse	t1	1	-	-	μs	
Time from falling edge of signal sampling pulse to rising edge of signal readout trigger pulse	t2	1.2	-	-	μs	
Time from rising edge of master clock pulse to rising edge of signal readout trigger pulse	t3	$1/4 \times 1/f(\text{mclk})$	-	$1/2 \times 1/f(\text{mclk})$	s	
Time from rising edge of signal readout trigger pulse to rising edge of master clock pulse	t4	$1/4 \times 1/f(\text{mclk})$	-	$1/2 \times 1/f(\text{mclk})$	s	
Time from rising edge of master clock pulse to falling edge of signal readout trigger pulse	t5	$1/4 \times 1/f(\text{mclk})$	-	$1/2 \times 1/f(\text{mclk})$	s	
Time from falling edge of signal readout trigger pulse to rising edge of master clock pulse	t6	$1/4 \times 1/f(\text{mclk})$	-	$1/2 \times 1/f(\text{mclk})$	s	
Time from rising edge of master clock pulse (after reading signals from all pixels) to rising edge of output signal sampling pulse	t7	$1/f(\text{mclk})$	-	-	s	
Time from rising edge of master clock pulse (after reading signals from all pixels) to rising edge of pixel reset pulse	t8	$1/f(\text{mclk})$	-	-	s	
Time from rising edge of master clock pulse to falling edge of output signal synchronous pulse*7	td(dclk)	0	25	50	ns	
Output signal synchronous pulse output voltage rise time (10 to 90%)*7	tr(dclk)	-	20	40	ns	
Output signal synchronous pulse output voltage fall time (10 to 90%)*7	tf(dclk)	-	20	40	ns	
Settling time of output signal 1, 2 (10 to 90%)*7 *8	tr(Vout), tf(Vout)	-	35	70	ns	
Time from rising edge of master clock pulse to output signal 1, 2 (output 50%)*7	td(Vout)	-	40	80	ns	
Charge transfer clock pulse interval	tpi(VTX)	60	-	-	ns	
Charge transfer clock pulse (VTX1) high period	thp(VTX1)	30	-	-	ns	
Charge transfer clock pulse (VTX1) low period	tlp(VTX1)	-	tpi(VTX) - thp(VTX2) - thp(VTX3)	-	ns	
Charge transfer clock pulse (VTX2) high period	thp(VTX2)	30	-	-	ns	
Charge transfer clock pulse (VTX2) low period	tlp(VTX2)	-	tpi(VTX) - thp(VTX1) - thp(VTX3)	-	ns	
Charge transfer clock pulse (VTX3) high period	thp(VTX3)	0	-	-	ns	
Charge transfer clock pulse (VTX3) low period	tlp(VTX3)	-	tpi(VTX) - thp(VTX1) - thp(VTX2)	-	ns	
Charge transfer clock pulse voltage rise time	tr(VTX)	-	3	-	ns	
Charge transfer clock pulse voltage fall time	tf(VTX)	-	3	-	ns	
Charge transfer clock pulse voltage	High level	VTX1, VTX2, VTX3	-	3	-	V
	Low level		-	0	-	V
Time from rising edge of signal readout trigger pulse to start VTX operation	t9	$1/f(\text{mclk})$	-	-	s	
Time from finish VTX operation to rising edge of output signal synchronous pulse	t10	$1/f(\text{mclk})$	-	-	s	
Time from finish VTX operation to rising edge of pixel reset pulse	t11	$1/f(\text{mclk})$	-	-	s	

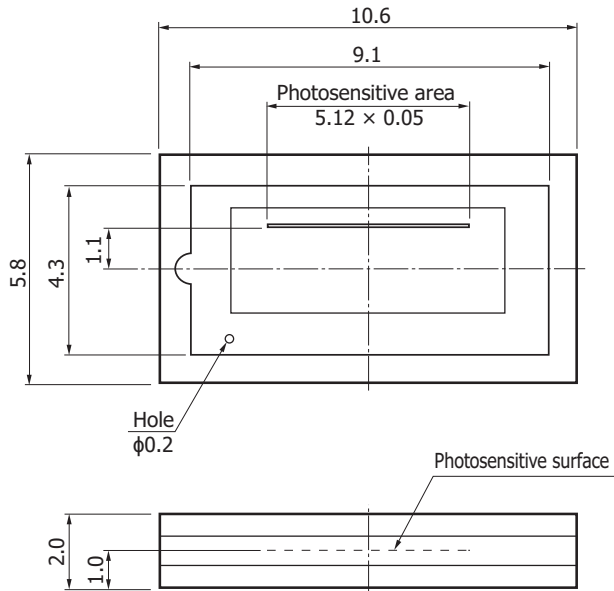
*7: $C_L=3$ pF

*8: Output voltage=0.1 V

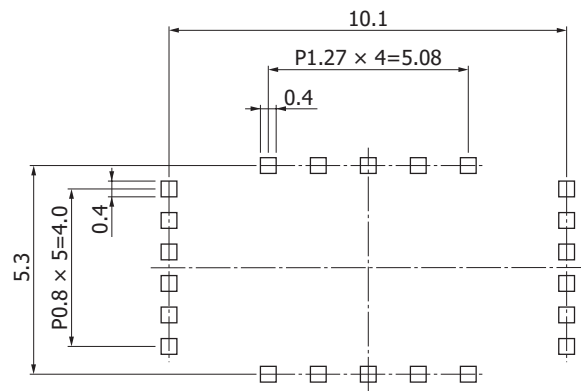
Input terminal capacitance (Ta=25 °C, Vdd=5 V)

Parameter	Symbol	Min.	Typ.	Max.	Unit
Charge transfer clock pulse internal load capacitance	CLTX	-	25	-	pF

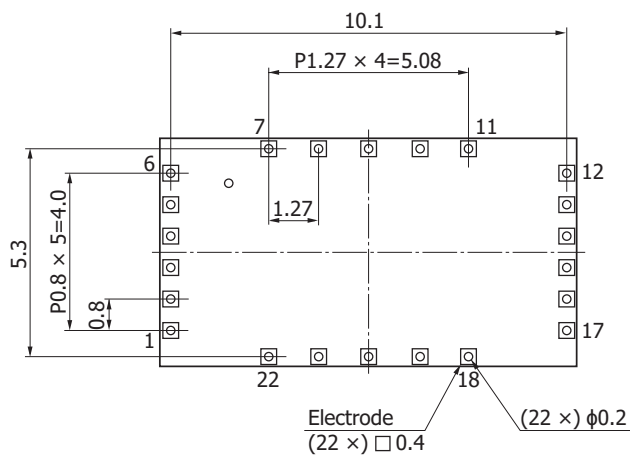
Dimensional outline (unit: mm)



Recommended land pattern (unit: mm)



KMPDC0437EB



Tolerance unless otherwise noted: ±0.2, ±2°

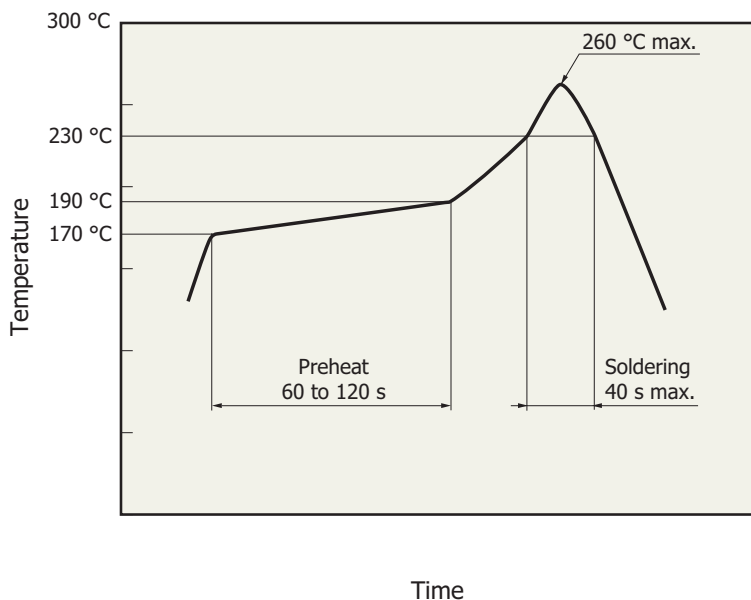
KMPDA0298EC

Pin connections

Pin no.	Symbol	I/O	Description
1	Vr	I	Bias voltage (pixel reset)
2	VTX3	I	Charge transfer clock pulse 3
3	VTX2	I	Charge transfer clock pulse 2
4	VTX1	I	Charge transfer clock pulse 1
5	p_res	I	Pixel reset pulse
6	phis	I	Signal sampling pulse
7	mclk	I	Master clock pulse
8	trig	I	Signal readout trigger pulse
9	dclk	O	Output signal synchronous pulse
10	Vdd(D)	I	Digital supply voltage
11	GND	I	Ground
12	Vout2	O	Output signal 1
13	Vout1	O	Output signal 2
14	GND	I	Ground
15	Vdd(A)	I	Analog supply voltage
16	Vpg	I	Bias voltage (photosensitive area)
17	Vsf	I	Bias voltage (pixel amplifier)
18	GND	I	Ground
19	GND	I	Ground
20	GND	I	Ground
21	GND	I	Ground
22	GND	I	Ground

Note: Connect an impedance converting buffer amplifier to Vout1/Vout2 so as to minimize the current flow.

Measured example of temperature profile with our hot-air reflow oven for product testing



KMPDB0381EA

- This product supports lead-free soldering. After unpacking, store it in an environment at a temperature of 30 °C or less and a humidity of 60% or less, and perform soldering within 168 hours.
- The effect that the product receives during reflow soldering varies depending on the circuit board and reflow oven that are used. Before actual reflow soldering, check for any problems by testing out the reflow soldering methods in advance.

Related information

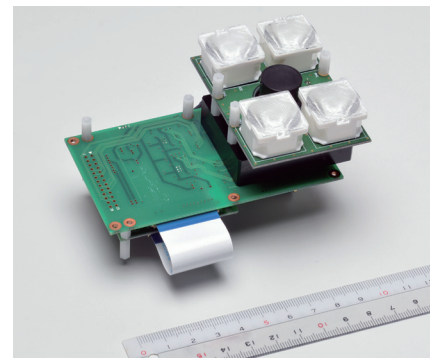
www.hamamatsu.com/sp/ssd/doc_en.html

■ Precautions

- Disclaimer
- Surface mount type products
- Image sensors

Evaluation kit for distance linear image sensor (S11961-01CR)

An evaluation kit [110 mm (H) × 70 mm (V)] for understanding the operating principle of Hamamatsu's S11961-01CR distance linear image sensor is available. Contact us for detailed information.



Information described in this material is current as of February, 2018.

Product specifications are subject to change without prior notice due to improvements or other reasons. This document has been carefully prepared and the information contained is believed to be accurate. In rare cases, however, there may be inaccuracies such as text errors. Before using these products, always contact us for the delivery specification sheet to check the latest specifications.

The product warranty is valid for one year after delivery and is limited to product repair or replacement for defects discovered and reported to us within that one year period. However, even if within the warranty period we accept absolutely no liability for any loss caused by natural disasters or improper product use. Copying or reprinting the contents described in this material in whole or in part is prohibited without our prior permission.

HAMAMATSU

www.hamamatsu.com

HAMAMATSU PHOTONICS K.K., Solid State Division

1126-1 Ichino-cho, Higashi-ku, Hamamatsu City, 435-8558 Japan, Telephone: (81) 53-434-3311, Fax: (81) 53-434-5184

U.S.A.: Hamamatsu Corporation: 360 Foothill Road, Bridgewater, N.J. 08807, U.S.A., Telephone: (1) 908-231-0960, Fax: (1) 908-231-1218, E-mail: usa@hamamatsu.com

Germany: Hamamatsu Photonics Deutschland GmbH: Arzbergerstr. 10, D-82211 Herrsching am Ammersee, Germany, Telephone: (49) 8152-375-0, Fax: (49) 8152-265-8, E-mail: info@hamamatsu.de

France: Hamamatsu Photonics France S.A.R.L.: 19, Rue du Saule Trapu, Parc du Moulin de Massy, 91882 Massy Cedex, France, Telephone: 33-(1) 69 53 71 00, Fax: 33-(1) 69 53 71 10, E-mail: infos@hamamatsu.fr

United Kingdom: Hamamatsu Photonics UK Limited: 2 Howard Court, 10 Tewin Road, Welwyn Garden City, Hertfordshire AL7 1BW, United Kingdom, Telephone: (44) 1707-294888, Fax: (44) 1707-325777, E-mail: info@hamamatsu.co.uk

North Europe: Hamamatsu Photonics Norden AB: Torshamnsgatan 35 16440 Kista, Sweden, Telephone: (46)8-509 031 00, Fax: (46)8-509 031 01, E-mail: info@hamamatsu.se

Italy: Hamamatsu Photonics Italia S.r.l.: Strada della Moia, 1 int. 6, 20020 Arese (Milano), Italy, Telephone: (39)02-93 58 17 33, Fax: (39)02-93 58 17 41, E-mail: info@hamamatsu.it

China: Hamamatsu Photonics (China) Co., Ltd.: B1201, Jiaming Center, No.27 Dongsanhuan Beilu, Chaoyang District, Beijing 100020, China, Telephone: (86) 10-6586-6006, Fax: (86) 10-6586-2866, E-mail: hpc@hamamatsu.com.cn

Taiwan: Hamamatsu Photonics Taiwan Co., Ltd.: 8F-3, No. 158, Section2, Gongdao 5th Road, East District, Hsinchu, 300, Taiwan R.O.C. Telephone: (886)03-659-0080, Fax: (886)03-659-0081, E-mail: info@hamamatsu.com.tw