

X-RAY IMAGING

4 inch / 2 inch DUAL MODE X-RAY IMAGE INTENSIFIER (X-RAY I.I.)

V10905P-01



CE

FEATURES

- Suitable for high magnification (2 inch mode)
- High resolution, high contrast
- Low distortion
- Attachable with various cameras (Analog, Digital etc.)

APPLICATIONS

- Non-destructive inspection
- Industrial X-ray CT
- In-line X-ray inspection

[Applicable samples]

- Electronic components
- Printed circuit boards
- Plastic components
- Metal components
- Foods
- Beverages
- Medicines & drugs

- Lithium ion battery (4 inch mode)



X-ray source	Sealed type
X-ray tube voltage	90 kV
X-ray tube current	100 μ A
Geometric magnification	$\times 4.5$
Camera	1.45 megapixel digital CCD
Number of multiplication frames	100 (4.2 s)

HAMAMATSU

PHOTON IS OUR BUSINESS

SPECIFICATIONS

X-ray I.I.

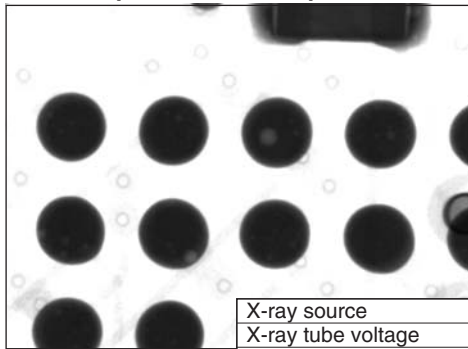
Parameters		Description / Value	Unit
Input window material (Thickness)		Aluminum (t 0.5 mm)	—
Input phosphor material		CsI	—
Output phosphor material		P43 or equivalent	—
Input surface field-of-view size	4 inch mode	$\phi 99$	mm
	2 inch mode	$\phi 50$	mm
Output image size		$\phi 20$	mm
Resolution (on input surface) (Typ.)	4 inch mode	100	Lp/cm
	2 inch mode	110	Lp/cm
Conversion factor		3.4	cd/m ² /μGy/s
Shading (Min.)		60	%
Contrast ratio		14	—
Operating ambient temperature		+10 to +40	°C
Storage temperature		-10 to +45	°C
Operating and storage humidity		Below 85 % (no condensation)	—
Weight		Approx. 8.0	kg

Power supply

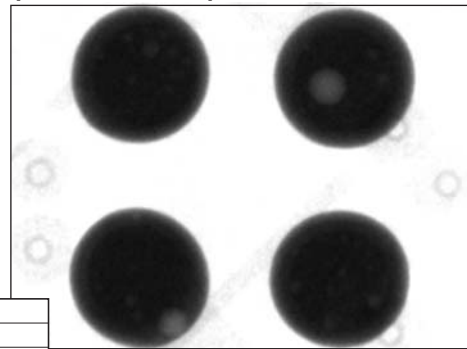
Parameters	Description / Value	Unit
Input voltage (AC)	100 to 240	V
Output voltage (DC)	24	V
Power consumption	30	VA
Weight	Approx. 0.5	kg

IMAGING EXAMPLES

●BGA (4 inch mode)

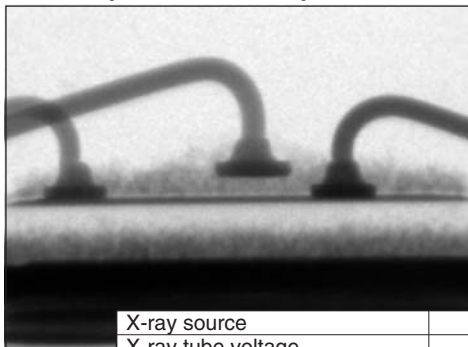


(2 inch mode)



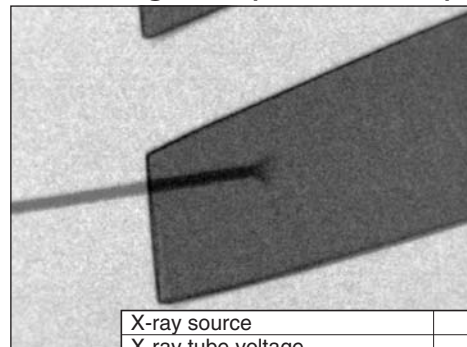
X-ray source	Sealed type
X-ray tube voltage	130 kV
X-ray tube current	10 μA
Geometric magnification	×17
Camera	3 megapixel CMOS
Number of multiplication frames	50 (5.0 s)

●LED (2 inch mode)



X-ray source	Open type
X-ray tube voltage	90 kV
X-ray tube current	19 μA
Geometric magnification	×56
Camera	1.45 megapixel digital CCD
Number of multiplication frames	100 (4.2 s)

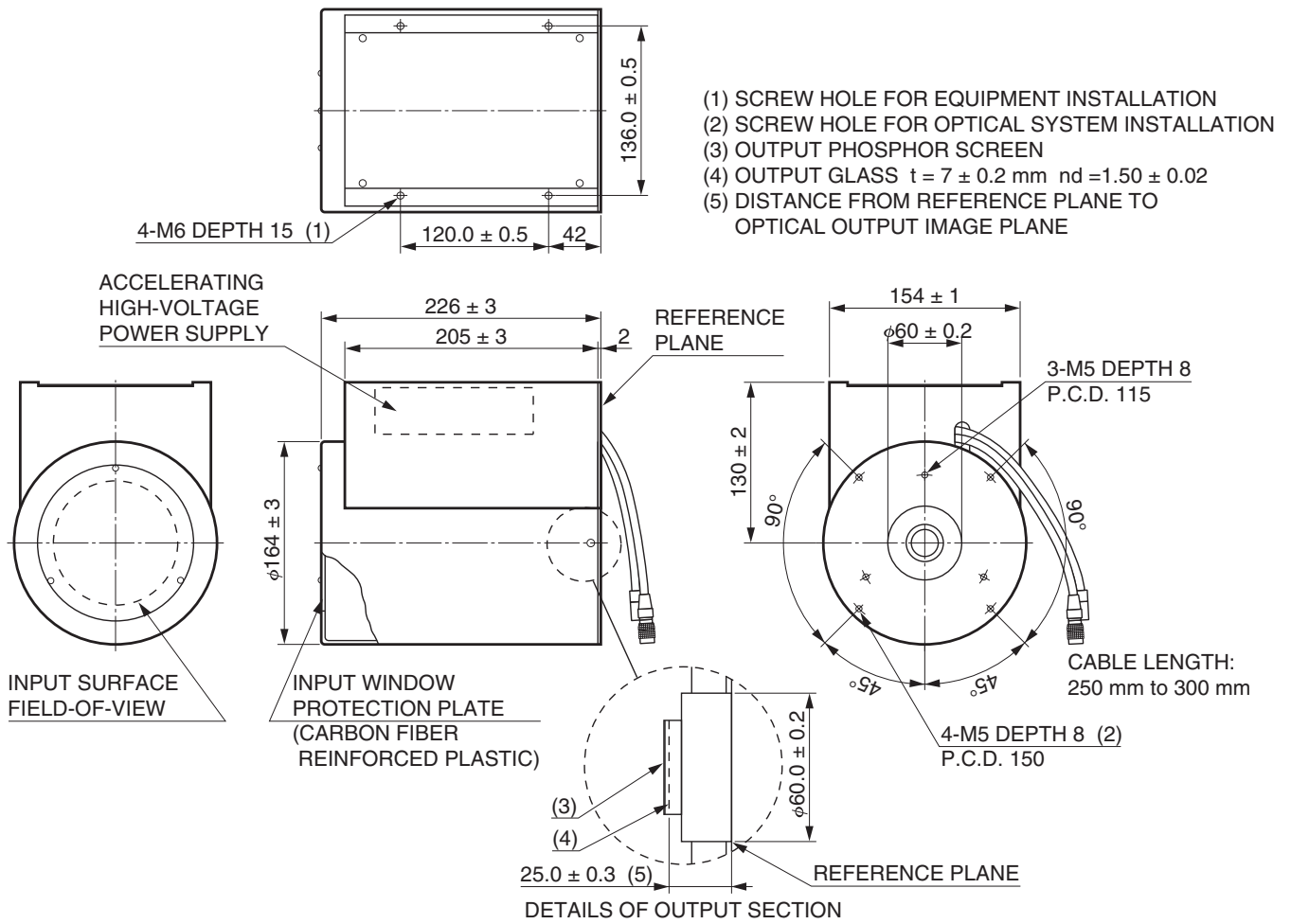
●Bonding wire (2 inch mode)



X-ray source	Open type
X-ray tube voltage	90 kV
X-ray tube current	19 μA
Geometric magnification	×50
Camera	1.45 megapixel digital CCD
Number of multiplication frames	100 (4.2 s)

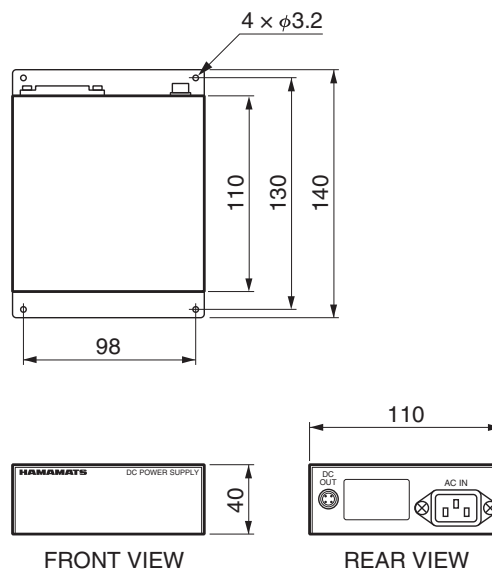
DIMENSIONAL OUTLINES (Unit: mm)

X-ray I.I.



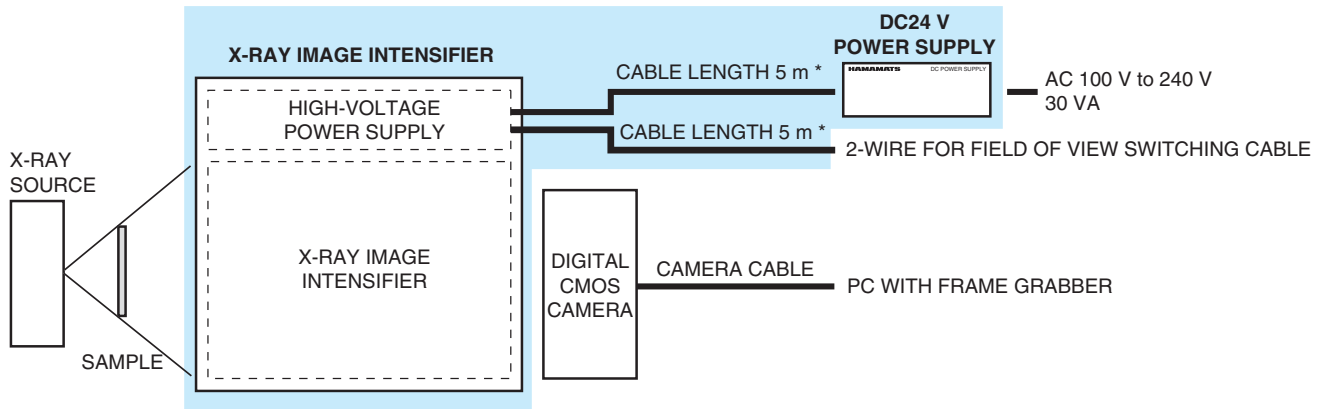
TII A0078EB

Power supply



TXPRA0020ED

CONFIGURATION



* 10 m cable is also available.

CONFIGURATION

TXPRC0013EB

RELATED PRODUCTS (X-ray image intensifier camera units)

X-RAY IMAGE INTENSIFIER DIGITAL CAMERA UNIT C7336-06/-07

Camera units C7336-06/-07 consist of a high resolution, high contrast 4-inch X-ray image intensifier (X-ray I.I.) and a 2.35 mega-pixel or 3 mega-pixel CMOS image sensor respectively.

The X-ray I.I. has an input window made of thin aluminum which is excellent in X-ray transmission and causes less scattering of X-rays. These features allow real-time detection at X-ray energy levels from about 20 keV.

The captured images can be transferred to PC directly by interface of Mini Camera-Link or USB3.0.



Subject to local technical requirements and regulations, availability of products included in this promotional material may vary. Please consult with our sales office. Information furnished by HAMAMATSU is believed to be reliable. However, no responsibility is assumed for possible inaccuracies or omissions. Specifications are subject to change without notice. No patent rights are granted to any of the circuits described herein. ©2019 Hamamatsu Photonics K.K.

HAMAMATSU PHOTONICS K.K. www.hamamatsu.com

HAMAMATSU PHOTONICS K.K., Electron Tube Division

314-5, Shimokanzo, Iwata City, Shizuoka Pref., 438-0193, Japan, Telephone: (81)539/62-5248, Fax: (81)539/62-2205

U.S.A.: Hamamatsu Corporation: 360 Foothill Road, Bridgewater, NJ 08807, U.S.A., Telephone: (1)908-231-0960, Fax: (1)908-231-1218 E-mail: usa@hamamatsu.com

Germany: Hamamatsu Photonics Deutschland GmbH.: Arzbergerstr. 10, D-82211 Herrsching am Ammersee, Germany, Telephone: (49)8152-375-0, Fax: (49)8152-265-8 E-mail: info@hamamatsu.de

France: Hamamatsu Photonics France S.A.R.L.: 19, Rue du Saule Trapu, Parc du Moulin de Massy, 91882 Massy Cedex, France, Telephone: (33)1 69 53 71 00, Fax: (33)1 69 53 71 10 E-mail: infos@hamamatsu.fr

United Kingdom: Hamamatsu Photonics UK Limited: 2 Howard Court, 10 Tewin Road, Welwyn Garden City, Hertfordshire AL7 1BW, UK, Telephone: (44)1707-294888, Fax: (44)1707-325777 E-mail: info@hamamatsu.co.uk

North Europe: Hamamatsu Photonics Norden AB: Torshamnsgatan 35 16440 Kista, Sweden, Telephone: (46)8-509 031 00, Fax: (46)8-509 031 01 E-mail: info@hamamatsu.se

Italy: Hamamatsu Photonics Italia S.r.l.: Strada della Moia, 1 int. 6, 20020 Arese (Milano), Italy, Telephone: (39)02-93 58 17 33, Fax: (39)02-93 58 17 41 E-mail: info@hamamatsu.it

China: Hamamatsu Photonics (China) Co., Ltd.: 1201 Tower B, Jiaming Center, 27 Dongsanhuan Beilu, Chaoyang District, 100020 Beijing, P.R.China. Telephone: (86)10-6586-6006, Fax: (86)10-6586-2866 E-mail: hpc@hamamatsu.com.cn

Taiwan: Hamamatsu Photonics Taiwan Co., Ltd.: 8F-3, No.158, Section2, Gongdao 5th Road, East District, Hsinchu, 300, Taiwan R.O.C. Telephone: (886)3-659-0080, Fax: (886)3-659-0081 E-mail: info@hamamatsu.com.tw

TXPR1003E05
AUG. 2019 IP